

PV-1 Series

Miniature Pneumatic
PTFE 2 Way and 3 Way Valves

aerospace
climate control
electromechanical
filtration
fluid & gas handling
hydraulics
pneumatics
process control
sealing & shielding

Product Overview:

The PV-1 Series is designed for semiconductor, ultra-pure water and aggressive chemical or gas applications. The design has a machined modified PTFE body, seat and diaphragm ensuring excellent flexibility and long life. The valve is available in 2 and 3 way configurations. It is ideal for low flow and small dose injection applications.



Contact Information:

Parker Hannifin Corporation
Veriflo Division
Partek Operation
7075 East Southpoint Road
Tucson, Arizona 85756

phone 520 574 2600
fax 520 574 2700

www.parker.com/partek
Mobile App: m.parker.com/veriflo

Product Features:

- Modified PTFE diaphragm provides over five times the flexural life as compared to conventional PTFE.
- Compact actuator design works on as little as 20 psi for ease of installation and maintenance.
- Tongue and groove seal for positive diaphragm to body seal provides high cycle life, lowers replacement costs, and isolates media from actuator.

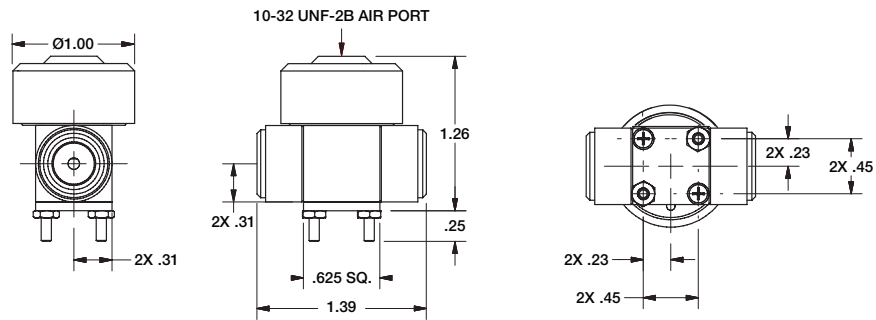


ENGINEERING YOUR SUCCESS.

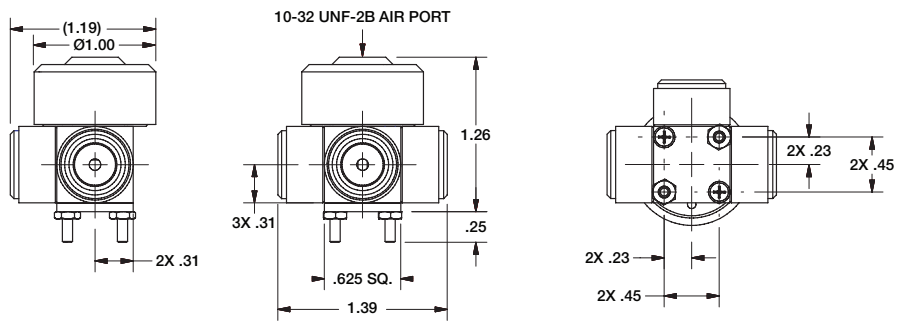
PV-1 Series

Dimensional Drawings

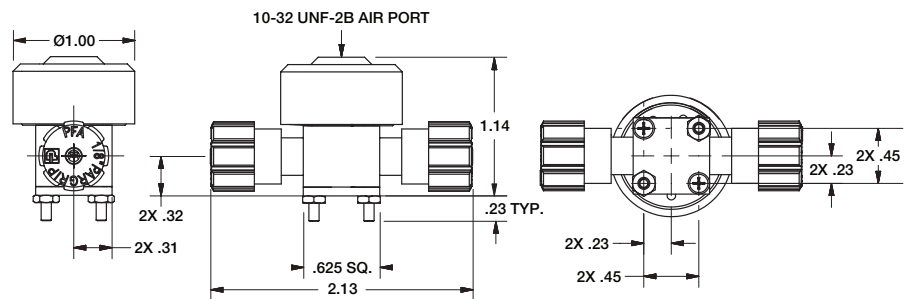
PV-1-1134



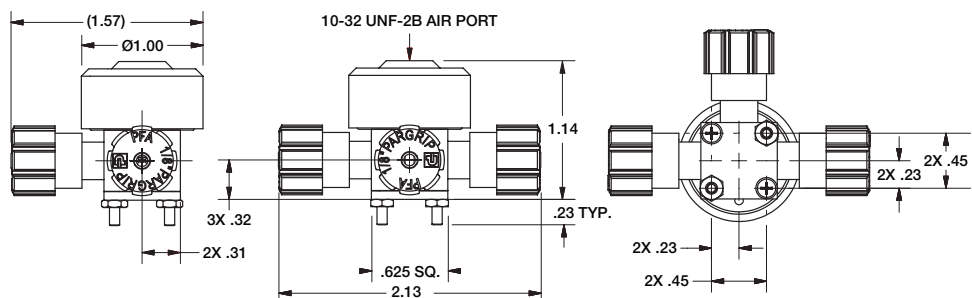
PV-1-1334-03



PV-1-2134

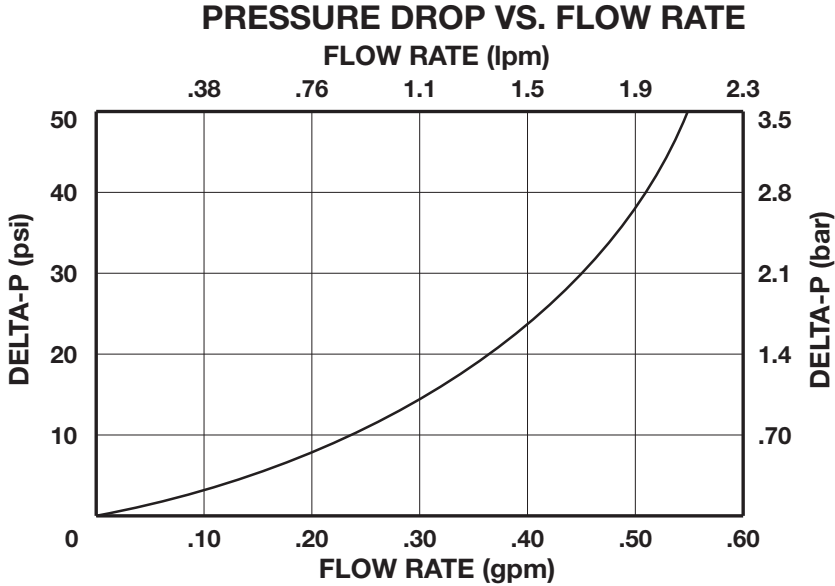


PV-1-2334-03



PV-1 Series

Flow Curve



Ordering Information

Model Number	Operation	End Size	End Type
PV-1-1134	NC	1/8"	FNPT
PV-1-1334-03	3 WAY	1/8"	FNPT
PV-1-2134	NC	1/8"	PARGRIP
PV-1-2334-03	3 WAY	1/8"	PARGRIP

PV-1 Series

Specifications

Materials of Construction	
Wetted Options	PTFE, Modified PTFE
Non-wetted Options	Anodized Aluminum, SS, Nitrile
Pressure Ranges	
Forward	25" HG vacuum (846 mbar) - 20 PSIG (1.4 bar)
Backward	25" HG vacuum (846 mbar) - 20 PSIG (1.4 bar)
Actuator	20 PSIG (1.4 bar) to 120 PSIG (8.3 bar)

Temperature Ranges	
Ambient	-60° - 212° F (-51° - 100° C)
Fluid	-60° - 400° F (-51° - 400° C)
Flow Capacity	
All Configurations	C _v .08

Pressure ranges for operation at ambient temperatures. For additional information on materials of construction, functional performance and operating conditions, please contact factory.

OFFER OF SALE:

The items described in this document are hereby offered for sale by Parker-Hannifin Corporation, its subsidiaries or its authorized distributors. This offer and its acceptance are governed by the provisions stated in the detailed "Offer of Sale" elsewhere in this document or available at www.parker.com/veriflo

WARNING USER RESPONSIBILITY

FAILURE OR IMPROPER SELECTION OR IMPROPER USE OF THE PRODUCTS DESCRIBED HEREIN OR RELATED ITEMS CAN CAUSE DEATH, PERSONAL INJURY AND PROPERTY DAMAGE. THIS DOCUMENT IS FOR REFERENCE ONLY. PLEASE CONSULT FACTORY FOR LATEST PRODUCT DRAWINGS AND SPECIFICATIONS

This document and other information from Parker-Hannifin Corporation, its subsidiaries and authorized distributors provide product or system options for further investigation by users having technical expertise.

The user, through its own analysis and testing, is solely responsible for making the final selection of the system and components and assuring that all performance, endurance, maintenance, safety and warning requirements of the application are met. The user must analyze all aspects of the application, follow applicable industry standards, and follow the information concerning the product in the current product catalog and in any other materials provided from Parker or its subsidiaries or authorized distributors.

To the extent that Parker or its subsidiaries or authorized distributors provide component or system options based upon data or specifications provided by the user, the user is responsible for determining that such data and specifications are suitable and sufficient for all applications and reasonably foreseeable uses of the components or systems.